

INS-803W : 7-port 10/100Base-TX + 2-Slot 100Base-FX Industrial Managed Switch (Wide Temperature Range)



Product Introduction & Benefits

VOLKTEK's INS-803W Industrial Switch is a 7-port 10/100Base-TX with Dual 100Base-FX ports (SFP-module can be used) switch delivered in a rugged, hardened case. Its components are able to withstand a high degree of vibration and shock, and it has a wide temperature range: -40°C ~ 70°C. Not an ordinary industrial switch, the INS-803W is engineered and designed specifically for harsh and extreme industrial-type applications. With its hardened case, redundant DC power inputs, fiber-optic uplinks, and high-performance components, the INS-803W is perfectly suited for extreme industrial automation environments.

Boasting full management capability through Web and SNMP, the INS-803W becomes an ideal solution for industrial network applications that require managed devices coupled with hassle-free deployment and setup. The INS-803W's Xpress Ring offers very fast recovery time of less than 50ms in case of any node failure.



Main Features:

- 7 x 10/100 Mbps ports
- 1 x RJ-45 console port (RS-232)
- Dual Redundant 100Base-FX ports with SFP- type fiber transceivers
- Web-based / SNMP Management
- Rugged, hardened IP30 case
- Vibration/Shock operational
- Dual redundant DC power inputs
- Power Terminal Block
- Wide voltage range: 9~48V
- DIP switch to enable or disable alarm functions
- Power-input polarity protection function
- Under-power & over-power detection function
- Operating temperature: -40°C~70°C
- Full compliance with IEEE: 802.3, 802.3u, 802.3x, 802.1D, 802.1W, 802.1Q, 802.1p
- Xpress Ring (redundant ring recovery < 50 ms)
- Non-blocking, store-and-forward switching
- Automatic learning of up to 8192 MAC addresses
- Auto-negotiation on all 10/100BaseTX ports
- Auto-MDI/MDIX (crossover) on all 10/100BaseTX ports
- Full VLAN (802.1q) VID processing with double tagging for up to 64VIDs
- IGMP Snooping for multicast filtering
- Port configuration, status, statistics, security
- Loss of link management on fiber ports
- SNMP v2 and RMON

Applications:

- Industrial/Factory/Laboratory automation SCADA systems
- Self-service banking systems
- Factory robots and HVAC control systems
- Wafer fabrication systems
- Outdoor Ethernet applications
- Security cameras or other remote distributed serial devices
- Rugged, hardened case and industrial-grade components able to withstand extreme vibration/shock.

Ordering Information:

INS-803W:

7-port 10/100Base-TX + 2-Slot 100Base-FX Industrial Managed Switch (Wide Temperature Range -40°C ~ 70°C)

FPM-1071:

1310nm, 3.3V 100Base-FX Multi-mode SFP Module, 2km (Wide Temperature Range -40°C ~ 85°C)

FPM-1071-30/60:

1310nm, 3.3V 100Base-FX Single-mode SFP Module, 30/60km (Wide Temperature Range -40°C ~ 85°C)

FPM-1071-100/120:

1550nm, 3.3V 100Base-FX Single-mode SFP Module, 100/120km (Wide Temperature Range -40°C ~ 85°C)

Specifications:

Standards:

IEEE 802.3u	100Base-TX/FX	IEEE 802.3ad	Port Trunking
IEEE 802.3	10Base-T	IEEE 802.1d	Spanning Tree Protocol
IEEE 802.3x	Flow Control	IEEE 802.1q	VLAN Tagging
IEEE 802.1p	Priority Queues		

Ports:

1 x RS-232 (RJ-45)
 7 x 10/100Base-TX (RJ-45)
 2 x 100Base-FX Fiber (SFP)

Wavelength:

1310nm (multi-mode)
 1310nm / 1550nm (single-mode)

Max Distances:

10/100Base-TX: 100m
 RS-232: 15m
 Fiber Optic: U p to 120km

Power:

Power Input: 9 ~ 48V DC / 1.5A

Temperature:

Operating: -40°C to 70°C
 Storage: -40°C to 85°C

Humidity:

Operating: 10% to 80% RH
 Storage: 5% to 90% RH

Compliance:

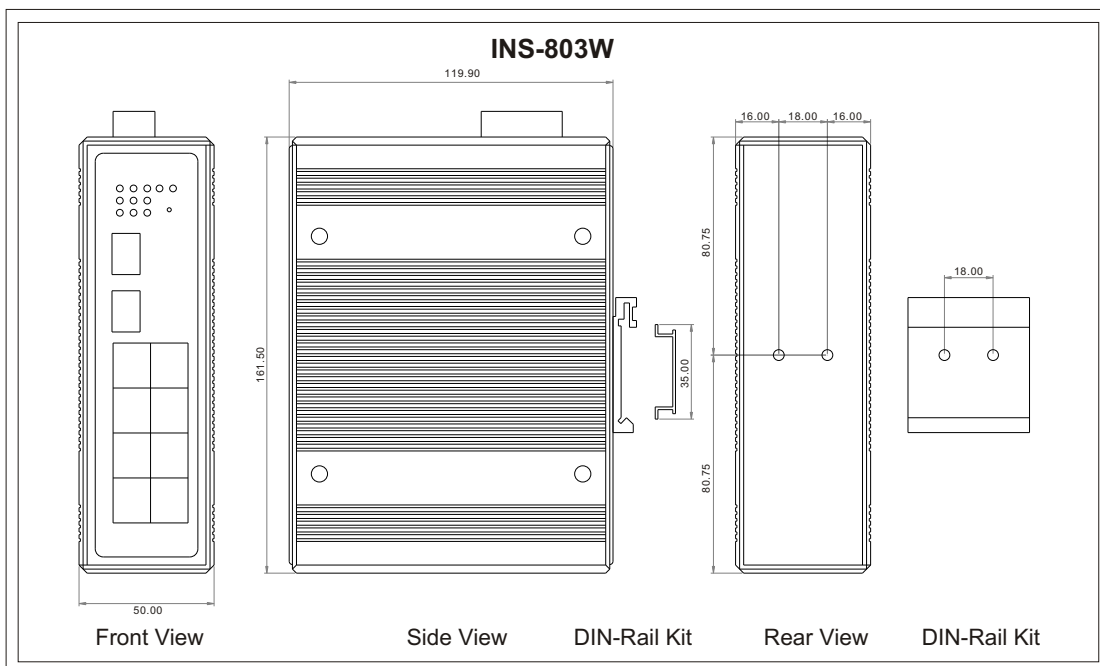
FCC Part 15 of Class A & CE Approved

Weight:

780g

Dimensions:

120 x 50 x 162 mm (D x W x H)



Unit=mm